



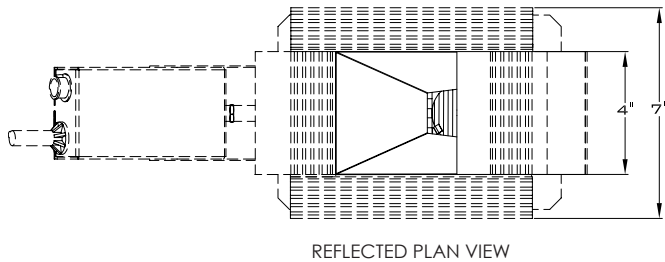
WASHLUX INCANDESCENT

WALLWASHER

FOR GYPSUM BOARD CEILINGS

The WASHLUX INCANDESCENT series is composed of luminaires with precision optics for wallwash applications. The fixture series utilizes INCANDESCENT MR16 lamps and electronic transformers. The following configurations are available: 1/2/3/4-lamp units as well as a corner fixture and corridor.

The entire WASHLUX series was redesigned to retain all of its original wallwashing optics while incorporating beneficial revisions. New features include a self-orienting, extruded trim assembly as well as an extruded dovetail detail to aid in seamlessly integrating the fixture with the finished gypsum board ceiling.



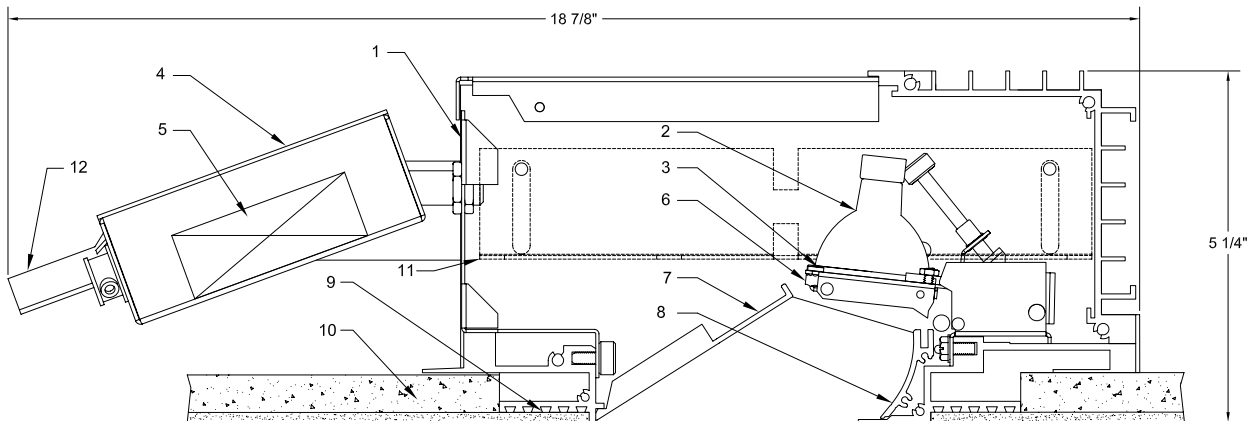
NOTES:

1. Extruded aluminum and 18 GA steel housing
2. INCANDESCENT MR16 lamp, 50W (by others)/NFL
3. Lamp holder assembly
4. Transformer box
5. Transformer
6. Wallwash lens
7. Trim assembly
8. Kicker reflector
9. Dovetail plaster screed
10. Ceiling: 5/8" gypsum board + 1/8" skim coat
11. Mounting bar
12. Thermal protector

FEATURES:

- 4"x4" aperture per lamp
- New trim design allows for easy removal and insertion
- Lamping options: 50W INCANDESCENT MR16/NFL
- Factory set wallwash aiming position
- 1:1 spacing ratio
- Typical layout formula:
Distance from wall = Ceiling Height x 0.3
- Non-IC thermally protected luminaire

WASHLUX INCANDESCENT is NRTL (Nationally Recognized Testing Laboratory) certified for purposes of OSHA safety standards product-approval requirements.



ORDERING MATRIX: WSH-ND-GYP- _ _ _ - _ _ _

Configuration	Lamp	Voltage	Reflector Finish	Lens
1 1 lamp	50 50W MR16	120 120V 277 277V	C Clear Anodized W White CU Custom	W Wallwash

Contact NULUX directly to specify custom products

6/19/14