



SQUARELUX 2

ADJUSTABLE ACCENT

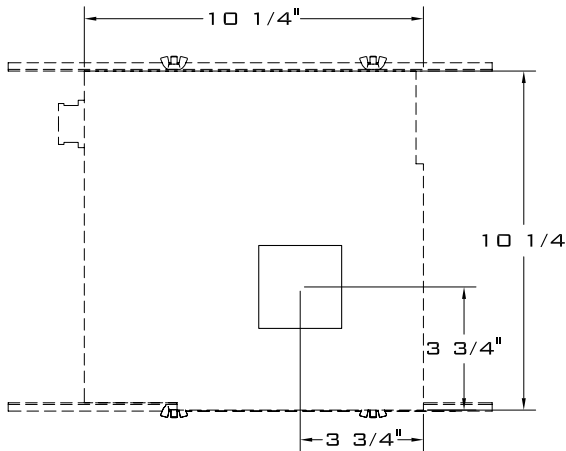
FOR WOOD OR STONE CEILINGS

SQUARELUX 2 is a 2.5 inch square aperture luminaire with a two ply glass lens that sits flush with the finished ceiling plane. Suitable for adjustable accent applications, this fixture utilizes a MR16 lamp. SQUARELUX 2 integrates seamlessly into the finished ceiling and is designed to provide maximum flexibility in illuminating artwork and objects through a lensed aperture.

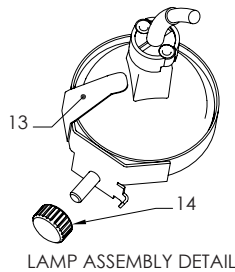
FEATURES:

- Small 2.5" x 2.5" square aperture
- Adjustable accent has full 360° rotation and 45° tilt
- Brass throat design holds lens flush with ceiling plane
- Individual lensing options at lamp
- Exclusive two ply glass lens
- Non-IC Thermally protected luminaire

SQUARELUX 2 is NRTL (Nationally Recognized Testing Laboratory) certified for purposes of OSHA safety standards product-approval requirements.



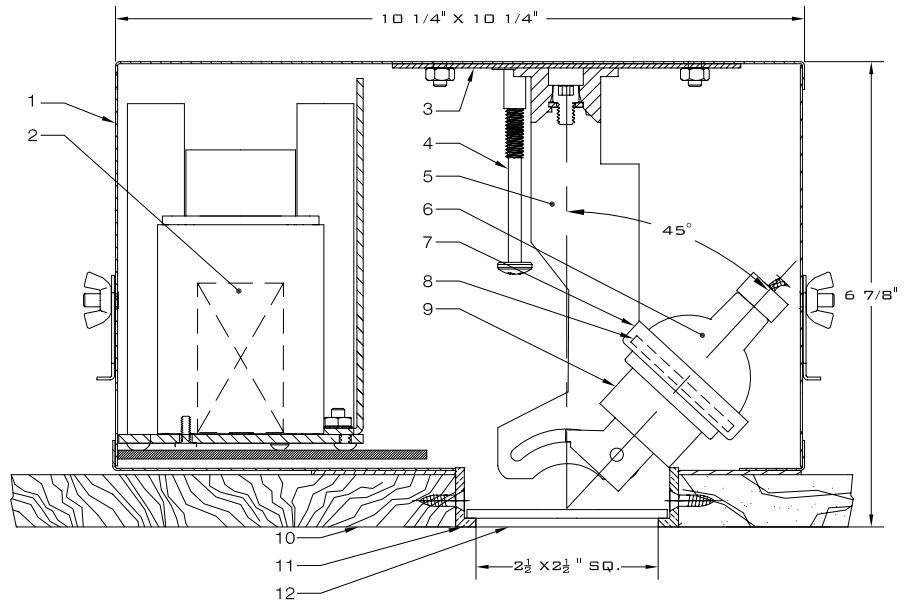
REFLECTED PLAN VIEW



LAMP ASSEMBLY DETAIL

NOTES:

1. 20 GA steel housing
2. Electronic transformer
3. 360° rotation disc
4. Rotation lock screw
5. Arc slotted yoke allows 0-45° locakble tilt
6. 12V MR16 lamp, 50W Max (by others)
7. Lamp holder assembly
8. Lamp lens
9. Object front snoot
10. Ceiling: 3/4" wood or stone
11. Brass throat, factory primer finish
12. 2 ply glass lens
13. Lamp retaining spring
14. Tilt adjustment lock knob



ORDERING MATRIX: SQ2-W- _____ - _____

Application	Lamp	Voltage	Interior Finish	Lamp Lens	Trim Lens	Trim Finish	Additional Accessories
AA Adj Angle	50 50W Max MR16	120 120V	WH White	CL Clear	N None	P Primed	N None
			BL Black	SO Solite	S Solite / Clear Pyrex	C Custom Color Painted	HC Hex Cell Louver
			CU Custom	LS Light Etch Solite	SS Solite / Solite	O Other	CUV Clear UV Lens
				SD Stippled	SL Solite / Light Etch		O Other
				LS5 Linear Spread 55°	FO Flashed Opal		
				LS7 Linear Spread 75°			
				WW Wallwash 55°/75°			

Contact NULUX directly to specify custom products.

05/26/2015