



# MICROLUX U

## LED DOWNLIGHT

FOR WOOD OR STONE CEILINGS

MICROLUX U is a miniaturized, dimmable LED downlight fixture designed to provide the most discrete form of recessed space and object illumination available for a demanding aesthetic. It is designed for seamless integration into wood or stone ceilings. The parabolic cone provides optimal brightness control in a variety of finishes.

### NOTES:

1. Access cover (open to wire during installation only)
2. Housing
3. Heatsink
4. LED module, see options below
5. Lens
6. Cone assembly
7. Reflector cone
8. Adjustable mounting bar
9. 3/4" wood or stone ceiling
10. ROAL LED Driver
11. Spacer (by others)

Nulux's LED products use the latest LED technology from the leading manufacturers of light engines and electronic power supplies and control devices.

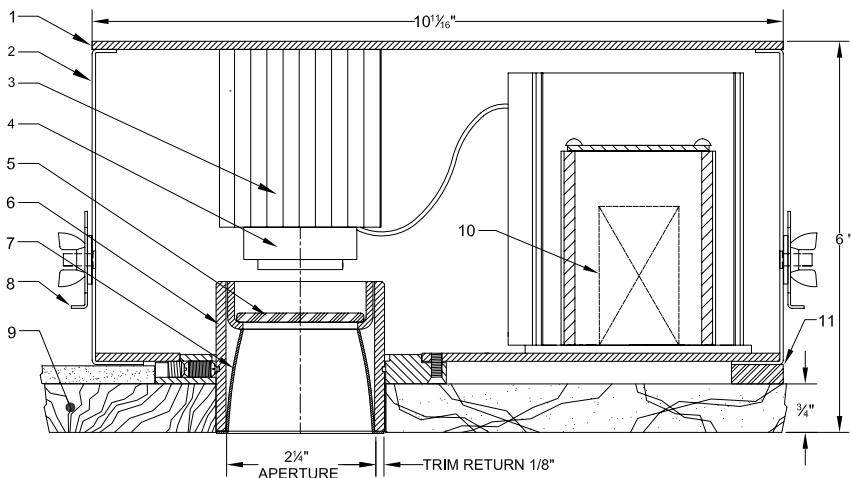
The technology is evolving rapidly and to ensure that the latest product offerings are used we recommend that you:

1. Contact the factory for the latest documentation when in design/specification phase of a project.
2. Review the specifications at the time of bid/purchase

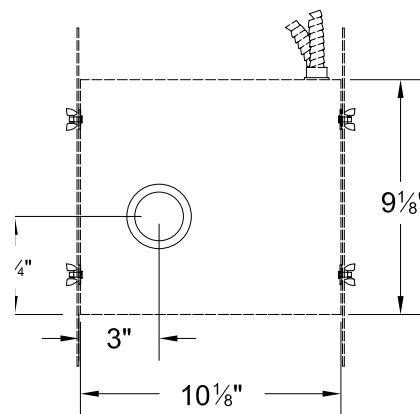
### FEATURES:

- Miniaturized 2-1/4" diameter aperture
- Low brightness parabolic reflector cone
- LED Module
- IC-rated luminaire
- Ceiling applications: 3/4" wood or stone

MICROLUX U is NRTL (Nationally Recognized Testing Laboratory) certified for purposes of OSHA safety standards product-approval requirements.



REFLECTED PLAN VIEW



### ORDERING MATRIX: MU-W-LED-D- \_ \_ \_ \_ \_

LED Module	Driver	CRI	Color Temp (k)	Cone Finish	Beam Spread	Trim Lens
<b>X</b> Xicato	<b>R</b> Roal	<b>80</b> 80	<b>27</b> 2700	<b>C</b> Clear	<b>NF</b> Narrow Flood	<b>N</b> None
<b>B</b> Bridgelux		<b>95</b> 95	<b>30</b> 3000	<b>P</b> Pewter	<b>F</b> Flood	<b>C</b> Clear Pyrex
<b>O</b> Other *			<b>O</b> Other *	<b>G</b> Gold		<b>S</b> Solite
				<b>B</b> Black		
				<b>W</b> White		
				<b>CC</b> Custom		
				<b>*</b> Add Etch		

\* Contact NULUX directly to specify custom products.  
Retrofit Kit available for existing installations. Contact factory.