



CM TRACK

RECESSED TWO CIRCUIT TRACK

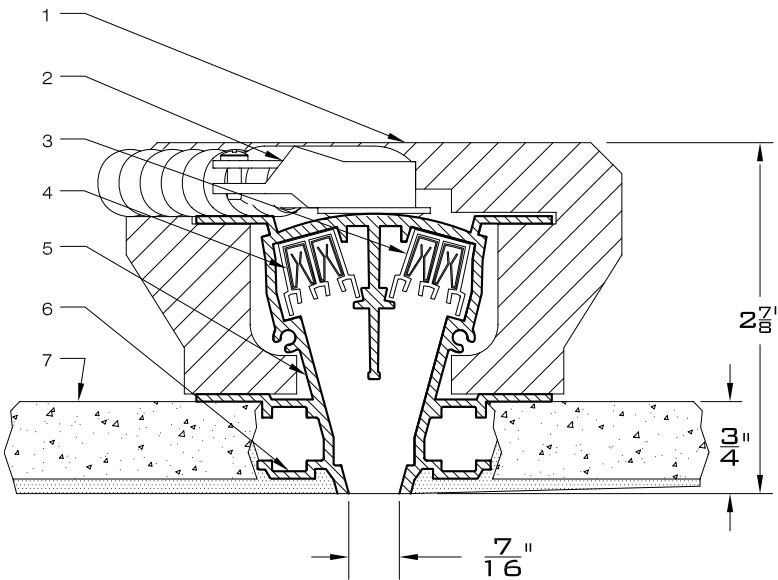
FOR GYPSUM BOARD CEILINGS

CM TRACK is designed to have a narrow, one centimeter wide slot in the ceiling plane through which two independent circuits are accessible. There are several fixture profiles to choose from and all versions incorporate a low voltage transformer design which is completely concealed inside the track, above the ceiling plane. With its slim opening seamlessly integrated into the finished ceiling and the concealed transformer detail, CM Track is an ideal solution for opulent interiors, museums and luxury retail environments where a quiet ceiling is paramount.

FEATURES:

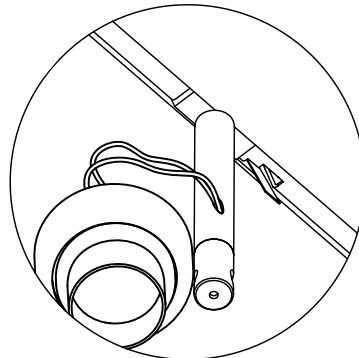
- Slim centimeter-wide slot
- Two 20 Amp, 120V independent circuits
- Extruded aluminum housing
- Intersection options include corner, X and T modules
- Various end and in-line feed options
- Flangeless gypsum ceiling installation
- Several corresponding track fixtures are available

CM TRACK is NRTL (Nationally Recognized Testing Laboratory) certified for purposes of OSHA safety standards product-approval requirements.



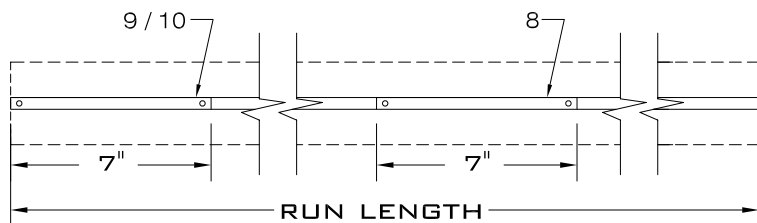
NOTES:

1. Stabilizing clamp
2. 90 degree BX connector (by others)
3. Circuit 1
4. Circuit 2
5. Extruded aluminum housing
6. Mudding flange
7. Ceiling: 5/8" gypsum board + 1/8" skim coat
8. In-line, 2 way feed wiring compartment, Top Feed only
9. Top End, 1 way feed wiring compartment
10. Side End, 1 way feed wiring compartment
11. Building wires

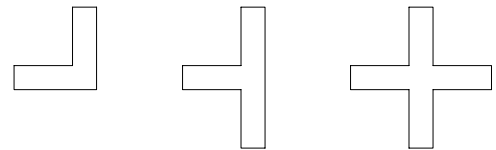


CEILING APERTURE DETAIL

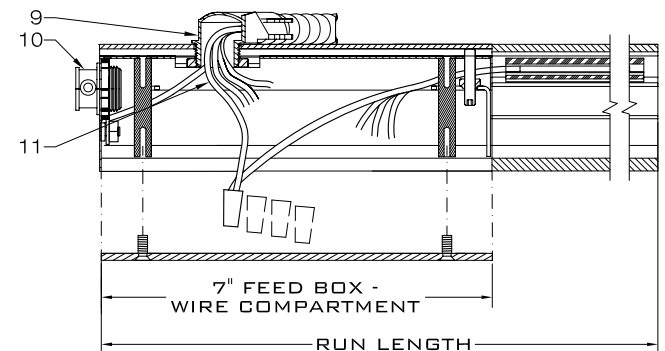
RCP VIEW: FEED BOX DIMENSIONS



AVAILABLE INTERSECTIONS:



SIDE VIEW: FEED BOX DIMENSIONS



ORDERING DETAILS:

PATENT PENDING

Contact NULUX directly to specify

Architectural layout drawings required to confirm run lengths, feed locations, mechanical splines and intersections

07/05/12